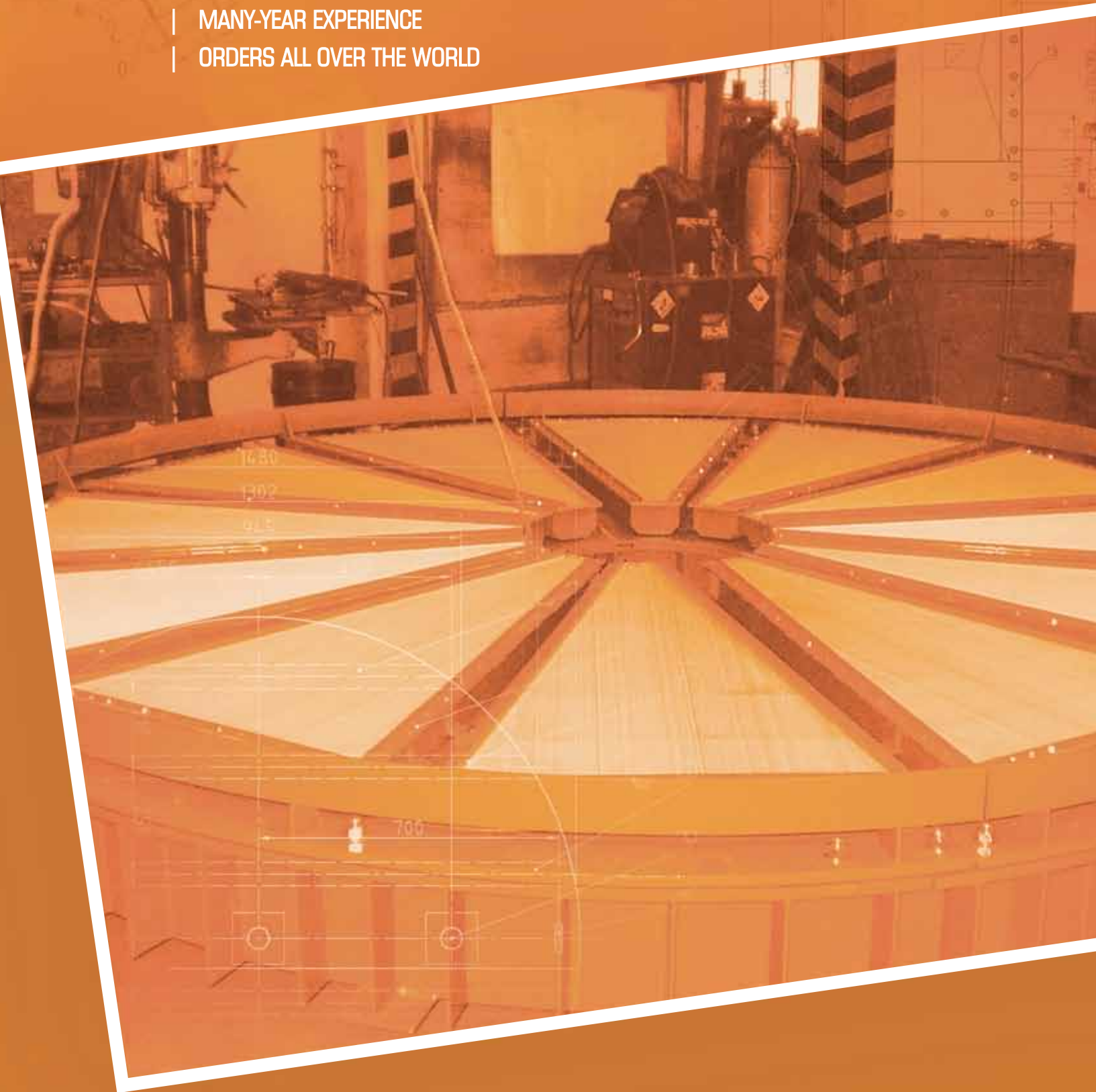


# DSD | REFERENCE LIST



- | SINGLE PROJECTS
- | LONG-TERM PARTNERSHIP
- | SATISFIED CUSTOMERS
- | MANY-YEAR EXPERIENCE
- | ORDERS ALL OVER THE WORLD



| THANK YOU, OUR CUSTOMERS >>



## 2009

- » Aeration of the bottom of the silo no. 9 – air-slides size 150, 200, 300 mm  
*Customer: Českomoravský cement, a. s., successor company, Radotín*
- » Double flap according to the documentation submitted  
*Customer: POITTEMILL INGENIERE, Bethune Cedex, France*
- » Supplies of equipment components in the cement industry  
*Customer: IBAU Hamburg, Germany*
- » Platform with the hopper and bin 1910 x 2160 mm incl. the static calculation  
*Customer: HAVER&BOECKER, Oelde, Germany*
- » Sampling of solid alternative fuels  
1 set / automatic sampling by the shovel sampler  
*Customer: Českomoravský cement, a. s., successor company, Mokrá*
- » Dispatch from the cement silo 1 and 3 (reconstruction of the discharging device A5)  
– aeration in the silo in the place of the outlet, regulation of the material flow from the outlet, blower as a source of pressure air for material aeration in the silo  
*Customer: Cement Hranice, a. s.*
- » Sampling of hot raw meal  
1 set / piston sampling with homogenizing (type HSM-01 H-200)  
*Customer: Lafarge Cement, a. s., Čížkovice*
- » Transport of return grit to the mill 3 and 4 – air-slide line with the separator and dosing rotary closures  
*Customer: Cement Hranice, a. s.*
- » Screw tube conveyor size 250x4 800 mm, manual Y-shaped flap 320x200/2x200, chute  $\varnothing$  250-1 160 mm  
*Customer: VÁPENKA VITOŠOV, s. r. o.*
- » Bypass – raw meal dosing – supply of the dosing rotary closure 250, motor and rotary turnstile feeder 200 – cement plant Mokrá  
*Customer: JV SERVIS, s. r. o., Mokrá*
- » Trough transport from the elevator to silos 51, 61 – air-slides with accessories, rotary Y-shaped flap 350, lower motor discharging device size 350 and motor gate valve  
Discharge of the silo no. 61 by means of the dosing rotary closure 400 with the pneumatic drive  
*Customer: Cement Hranice, a. s.*
- » PS 04.2 – Homogenizing and storage silos – air-slide line 400 x 30 000 mm, fan with the cover incl. air distribution system  
*Customer: Povážská cementáreň, a. s., Ladce, Slovakia*
- » Transport and dosing to the agitating screw conveyor by means of the vertical screw conveyor size 300, H = 3 807 mm (from anchoring to discharge) incl. all components for commissioning of the whole equipment  
*Customer: VÁPENKA VITOŠOV, s. r. o.*



## 2008

- » Set of sampling stations for the product sampling from the technology in the course of the whole process of cement production from the pre-homogenizing storage to the bulk cement dispatch – cement plant ASTANA, Kazakhstan:

1 set / sampling of the mixture of raw material components from the belt to the pre-homogenizing storage, hammer sampling

1 set / sampling of the mixture of raw meal at the outlet from the raw mill, sampling from the trough air slides, with homogenizing

1 set / sampling of the mixture of raw meal and dust before the inlet to the homogenizing silo, sampling from the trough air slides, with homogenizing

1 set / sampling of raw meal before the inlet to the preheater, sampling from the trough air slides, with homogenizing

1 set / sampling station of clinker from transport routes to the clinker silo, sampling by the blade sampler

2 sets / sampling station of ground cement at the outlet from CM1 and CM2, sampling from the trough air slides, with homogenizing

1 set / sampling station for dust sampling from the electric precipitator, sampling by the worm sampler, with homogenizing

4 sets / sampling station of bulk cement at the outlet from cement silos, sampling by the worm sampler, with homogenizing

1 set / sampling station of ground coal – ATEX version at the outlet from the grinding circuit filter, sampling by the worm sampler

*Customer: PSP Engineering, a.s., Přerov*

- » Equipment of the pneumatic transport of the cement grinding plant – cement plant ASTANA, Kazakhstan

*Customer: PSP Engineering, a.s., Přerov*

- » Aeration of bottoms of silos no. 1 and 7

\* *Customer: Českomoravský cement, a.s., succession company, plant Radotín*

- » Bypass – dosing of raw meal to the preheater incl. assembly and commissioning

*Customer: LAFARGE CEMENT, a.s., Čížkovice*



- » Equipment of the pneumatic transport of cement silos for PS\_32 according to the documentation submitted – cement plant ASTANA, Kazakhstan  
*Customer: PSP Engineering, a.s., Přerov*
- » Equipment of the pneumatic transport of homogenizing silos (PS11, PS12) according to the documentation submitted – cement plant ASTANA, Kazakhstan  
*Customer: PSP Engineering, a.s., Přerov*
- » Storage and transport of dust mixture  
*Customer: Fabrika Cementa Lukavac d.o.o., Serbia*
- » Mechanical transport of raw meal to the preheater of the rotary kiln  
*Customer: Cement Hranice, a.s.*
- » Bin for under-size material with the steel structure, platform incl. interconnecting chutes – Lime works Vitošov  
*Customer: MONTÁŽE Přerov a.s.*
- » Inlet to the mill, static separator LVT ø 3600 mm, discharging box of the mill, separator VTP 2700 - BALIKESIR  
*Customer: PSP Engineering, a.s., Přerov*
- » Equipment of fly ash silos incl. air slides  
*Customer: CEMMAC Horné Srnie, Slovakia*
- » Updating of cement and slag grinding – equipment of the pre-grinding mill PM-CM1 incl. transport and aeration  
*Customer: Východoslovenské stavebné hmoty, a.s., Turňa n/Bodvou, Slovakia*
- » Air slides to cement silos for the cement plant CEMMAC Horné Srnie  
*Customer: MONTÁŽE, s.r.o., Trenčín, Slovakia*
- » Slag grinding – trough transport of ground slag and cement incl. accessories and 3 pcs of bins  
*Customer: Českomoravský cement, a.s., succession company, plant Mokrá*
- » Extension of bulk cement dispatch to tank trucks – cement plant CEMMAC Horné Srnie  
*Customer: DELTA Engineering, s.r.o., Přerov*
- » Manufacturing and completing of the separator KTM 1200 according to the documentation submitted  
*Customer: PSP Engineering, a.s., Přerov*
- » Equipment for the coal system installation – burners, cooling piping, burner covers – Lime works Vitošov  
*Customer: MONTÁŽE Přerov a.s.*
- » Trough transport of raw meal to the homogenizing silo  
*Customer: Cement Hranice, a.s.*



- » 15 pcs – vertical worm conveyors, sizes 300, 400, 500
- » 48 pcs – filling equipment / nozzles
- » 6 pcs – filter aeration boxes 350x1300 mm
- » 1 pc – agitation bin 4000x3100x3900 mm

*Customer: IBAU Hamburg, Germany*

- » Big Bag – filling equipment – KALI SALZ

*Customer: HAVER & BOECKER, Oelde, Germany*

- » Big Bag – filling equipment – MULTI TREX

*Customer: BEHN+BATES Maschinenfabrik, Germany (HAVER & BOECKER Group)*

## 2007

- » Equipment for the transport and regulation of bulk material flow: vertical worms conveyors H = 5 – 25 m, ship unloaders, cement ship unloaders, filling device of tank trucks and railway wagons ...

*Customer: IBAU Hamburg, Germany*

- » Complete fluid and mechanical transport in the cement grinding plant

*Customer: Salonit Anhovo, Slovenia*

- » Separator VTP 3400 – manufacturing of parts according to the documentation supplied – cement plant Turňa, Slovakia

*Customer: PSP Engineering, a. s., Přerov*

- » Complete air slides for the cement grinding plant, cement sampling – Suchoj Log, Russia

*Customer: PSP Engineering, a. s., Přerov*

- » Modernization of the cement and slag grinding – Cement mill 1 reconstruction – cement plant Turňa, Slovakia

*Customer: PSP Engineering, a. s., Přerov*

- » Aeration of the silo bottom no. 3

*Customer: Českomoravský cement, a. s., succession company, plant Radotín*

- » 2nd stage of the project – Underpass silos – spare parts for transporting lines
- » Spare parts for the repair of cement transporting line at storage silos of the new plant - interconnection

*Customer: Českomoravský cement, a. s., succession company, plant Králův Dvůr*

- » 12 high-pressure fans HP

*Customer: Východoslovenské stavebné hmoty, a. s., Turňa nad Bodvou, Slovakia*

- » Air slides of dust mix bypass – cement plant Radotín

*Customer: MOKO-HK, s.r.o., Milevsko*



## 2006

- » Equipment for the transport and regulation of bulk material flow:  
vertical worm conveyors H = 5–25 m, ship unloaders, cement ship unloaders,  
filling device of tank trucks and railway wagons ...  
*Customer: IBAU Hamburg, Germany*
- » Parts of the packaging equipment, worm conveyors, steel platforms, bins, steel structures  
*Customer: HAVER BOECKER Oelde, Germany*
- » Exchange of air slides – cement slide to silos 1 – 6 + slides no. 9, 10, 11, 12  
*Customer: Českomoravský cement, a.s., succession company, plant Králův Dvůr*
- » Kiln line modernization – extension of conveyor troughs for the operating unit 11  
– material transport to homogenizing silos – cement plant Turňa, Slovakia  
*Customer: IPSP Engineering, a. s., Přerov*
- » Separator VTP 1950 according to the manufacturing documentation supplied  
*Customer: PSP Engineering, a. s., Přerov*
- » Aeration of the silo bottom no. 4 and 5  
*Customer: Českomoravský cement, a. s., succession company, plant Radotín*
- » Worm sampling station of ground coal with ATEX certification – cement plant Turňa, Slovakia  
*Customer: PSP Engineering, a. s., Přerov*
- » Worm sampling station, automatic - cement plant Jugcement, Ukraine  
*Customer: PSP Engineering, a. s., Přerov*
- » Lime agitation – silos dia. 3 and 4 m, worm conveyor, agitating worm conveyor, worm extension,  
slide gates, reduction piece  
*Customer: Vápenka Vitošov, s.r.o.*
- » Separator LTRU 400 according to the documentation supplied – KEFA, Greece  
*Customer: PSP Engineering, a. s., Přerov*

## 2005

- » Regular deliveries of equipment for handling of bulk materials (vertical screw conveyers, supply silos,  
closures ...)  
*Customer: IBAU Hamburg, Germany*
- » Regular deliveries of non-standard equipment for packing plants, machines for handling of bulk material  
*Customer: HAVER BOECKER Oelde, Germany*



- » Delivery of spare parts for repair of a transportation line transporting from the bottom of cement silos to the elevator- project Underpass silos  
*Customer: Českomoravský cement, a.s., plant Králův Dvůr*
- » Manual sampling station – cement plant Ladce, Slovakia  
*Customer: PSP Engineering, a.s., Přerov*
- » Cement grinding plant equipment – fluidslide lines, sampling, bottom unloader – JUGCEMENT, Ukraine  
*Customer: PSP Engineering, a.s., Přerov*
- » Reconstruction of separating circuit for cement grinding plant 1-4:
  - charging of the separator and transportation of the final product
  - equipment for the separating circuit
  - equipment for de-dusting of the separating circuit*Customer: Cement Hranice, a.s.*
- » Automatic fluidslide sampling station, automatic screw sampling station – SEPAHAN, Iran  
*Customer: PSP Engineering, a.s., Přerov*
- » Modernization of furnace line – cement plant TURŇA
  - trough line from silos to the elevator
  - trough line from the scales to the exchanger
  - trough line from the elevator to the feeder
  - fans, air distribution system, aerating system
  - manual sampling station*Customer: PSP Engineering, a.s., Přerov*
- » Gas cleaning for shaft furnaces – Mongolia
  - the design of machine equipment, flow cleaner, barometer closure, fan for gas exhaust*Customer: Eurosound, s.r.o., Prague*
- » Two-step counter-current worm cooler of aluminium sulphate, cooled by water, made of stainless steel  
*Customer: DIAMO, state plant, Stráž pod Ralskem*
- » Screw conveyers  $\varnothing 200$  mm, length 7500 mm and screw conveyer  $\varnothing 150$  mm, length 3800 mm for transportation of chemical materials certified for explosive atmosphere  
*Customer: RIOS, s.r.o., Valašské Meziříčí*



## 2004

- » Equipment of the dust silo and air slides – cement plant Lukavac – Serbia  
*Customer: **PSP Engineering, a.s., Přerov***
- » Exchange of air slides: slide to silos no. 7-14 + slide no. 14 from the bucket elevator 29 + slide no. 8 under the NZ silos  
*Customer: **Českomoravský cement, a.s., plant Mokrá***
- » Exchange of the existing air slides under the cement silos – cement plant Radotín  
*Customer: **Českomoravský cement, a.s., plant Radotín***
- » Elevator, sealing, covers, holders, lubrication, cooling – cement plant Beocin – Bosnia  
*Customer: **PSP Engineering, a.s., Přerov***
- » Two-side suction fans VENTI OELDE – cement plant Beocin – Bosnia  
*Customer: **PSP Engineering, a.s., Přerov***
- » De-dusting piping – cement plant Beocin – Bosnia  
*Customer: **PSP Engineering, a.s., Přerov***
- » Equipment of the cement grinding plant – VOSKRESENSK  
*Customer: **PSP Engineering, a.s., Přerov***
- » New loading point of bulk cement – Čížkovice  
*Customer: **PSP Engineering, a.s., Přerov***
- » Aerating boxes, shell segments, slide gate, worm trough conveyor 400x11000 mm  
*Customer: **VÁPENKA VITOŠOV, s.r.o.***
- » Equipment for packaging and palletizing – Lukavac  
*Customer: **Cement plant Lukavac – Serbia***
- » Worm conveyor  
*Customer: **Cheming, a.s., Pardubice***
- » Stainless steel tank with the agitator – manufacturing documentation and supply  
*Customer: **Precheza, a.s., Přerov***
- » Aerating bottom of cement silos – Dětmárovice  
*Customer: **PSP Engineering, a.s., Přerov***
- » Swinging flaps, chute Salith  
*Customer: **VÁPENKA VITOŠOV, s.r.o.***
- » Structure of aerating openings PARS  
*Customer: **Českomoravský cement, a.s., plant Radotín***
- » De-dusting and exhausting piping including components for a new silo Dětmárovice  
*Customer: **PSP Engineering, a.s., Přerov***





## 2003

- » Worms dia 250-3000 mm  
Customer: **VÁPENKA VITOŠOV, s.r.o.**
- » HP fans  
Customer: **Českomoravský cement, a.s., plant Mokrá**
- » Air slides to the cement silos 1 ÷ 14 and for the cement grinding plant – cement plant Horné Srnie  
Customer: **PSP Engineering, a.s., Přerov**
- » Container 0,5 m<sup>3</sup>, internal part of the flap MAERZ  
Customer: **VÁPENKA VITOŠOV, s.r.o.**
- » Air slide elevator-separator – cement plant Lukavac, Serbia  
Customer: **PSP Engineering, a.s., Přerov**
- » Cement mill 1 – air slides 400, 250 + fans + air distribution systems  
Customer: **Českomoravský cement, a.s., plant Mokrá**
- » Air slides size 250 over and under the bins  
Customer: **Rugby CZ, Dětmorovice**
- » Lines over and under the cement silos  
Customer: **Českomoravský cement, a.s., plant Mokrá**
- » Piping fan-separator, air slide platform, bin bottom incl. aeration – cement plant Lukavac  
Customer: **PSP Engineering, a.s., Přerov**
- » Air slides, fan HP05/565, air distribution system – cement plant Lukavac  
Customer: **PSP Engineering, a.s., Přerov**
- » Flaps, mill armor  
Customer: **Dalkia Morava, a.s., Přerov**
- » Compensator, ground coal distribution piping + air distribution system + exhauster distribution system – Lukavac, coal system  
Customer: **PSP Engineering, a.s., Přerov**
- » Air slides for the dispatch of bulk cement, air slides of the cement grinding plant, conveyor to the cement silos – cement plant Lukavac  
Customer: **PSP Engineering, a.s., Přerov**
- » Fans  
Customer: **Herbold Meckesheim GmbH**



- » Project documentation of the hot-air piping dia1 250 mm from the clinker cooler to the material grinding plant – SALONIT ANHOVO  
Customer: **PSP Engineering, a.s., Přerov**
- » WBE 300, air slides 250, reduction piece  
Customer: **Rugby CZ Dětmorovice**
- » Project documentation – discharging device for the side discharging from cement silos  
Customer: **Českomoravský cement, a.s., cement plant Radotín**
- » Documentation of the preheater steel structure in the cement plant Itapetinga  
Customer: **PSP América, Brazil**
- » Calcining channel – cement plant Lukavac  
Customer: **PSP Engineering, a.s., Přerov**
- » Air slides, fans, piping, air distribution system – Štramberk  
Customer: **PSP Engineering, a.s., Přerov**
- » Aerating troughs 200, air distribution system, manholes, tubes, flap, breaking pyramid – cement plant Lukavac  
Customer: **PSP Engineering, a.s., Přerov**

## 2002

- » Line under the filters and line under the homogenizing silos  
Customer: **Českomoravský cement, a.s., plant Králův Dvůr**
- » Parts for the packaging machine Hranice  
Customer: **Montáže Přerov, a.s.**
- » Aerating plates  
Customer: **Maltárna Kbely**
- » High-speed fan  
Customer: **BRISK Tábor, a.s.**
- » Cement mill 3 – air slide 400 elevator-separator, length 12.5 m  
Customer: **Českomoravský cement, a.s., plant Mokrá**
- » Air slide  
Customer: **Brockhausen & Holze Chemnitz**



» Flaps, air silencer, repairs of burner lintels, discharge from the separator, chutes, worm conveyor, slide gate

Customer: **VÁPENKA VITOŠOV, s.r.o.**

» Cement mill 2 – air slide 400 elevator-separator

Customer: **Českomoravský cement, a.s., plant Mokrá**

» Project of air slides to the cement silos – cement plant Horné Srnie

Customer: **PSP Engineering, a.s., Přerov**

» Covering of air slides – Dětmarovice

Customer: **PSP Engineering, a.s., Přerov**

» Air slides 400 from cyclones incl. the documentation – cement plant Králův Dvůr

Customer: **Českomoravský cement, a.s., plant Králův Dvůr**

## 2001

» Air slide transport lines in the cement plant Kujawy, Poland (part of the cement grinding plant reconstruction)

Customer: **PSP Engineering, a.s., Přerov**

» Air slide transport lines in the cement plant Arrigorriaga, Spain (part of the cement grinding plant reconstruction)

Customer: **PSP Engineering, a.s., Přerov**

» Design of the de-dusting piping between the clinker cooler and filter incl. supporting structures in the cement plant Tupi, Brazil

Customer: **PSP América - Brazil**

» Aerating plates for the limestone and slag silos incl. air slides in the power station Dětmarovice

Customer: **Rugby CZ**

» Air slides for the cement grinding plant reconstruction – SALONIT ANHOVO

Customer: **PSP Engineering, a.s., Přerov**

» Worm conveyor, discharging piping for the woodworking plant

Customer: **CIDEM, a.s., Hranice**

## 2000

» Manufacturing of 6 special closing flaps of the shaft kiln MAERZ

Customer: **Vitošov - lime plant**

» Aerating and transport of dust mix to the cement grinding plant – cement plant Horné Srnie (CEMMAC)

Customer: **PSP Engineering, a.s., Přerov**



- » Piping, closures, flaps, steel structures, worm conveyers

*Customer: **MST Přeřov***

- » Airlift for the cement transport to cement silos – delivery to Iran

*Customer: **PSP Engineering, a.s., Přeřov***

- » Expertise aid concerning the crusher support system - Athens Greece

*Customer: **ŠKODA JS Plzeň***

- » Project, stress analysis, workshop drawings of the discharging piping dia 3.2 m and supporting steel structures from the clinker cooler to the conditioner and filter - cement plant BC CP Dunbar in Scotland

*Customer: **Euroinvest s.r.o. - BMH Claudius Peters***

## 1999

- » Repair of 6 circulation wheels of the fan RVE/1600

*Customer: **MST Přeřov***

- » Manufacturing and delivery of the silo for homogenization equipment the cement plant Horné Srnie - Slovakia

*Project: IBAU Hamburg*

*Customer: **PSP Engineering, a.s., Přeřov***

- » Cement grinding plant modernization in the cement plant Králův Dvůr

*1st stage: cement silo no. 5 and 6 - delivery, assembly, coordination*

*Project: IBAU Hamburg*

*Customer: **Českomoravský cement Beroun***

- » Cement silo equipment manufacturing for the German customer

## 1998

- » De-dusting of the hammer mill KTM incl. the insulation and heating system

- Project documentation
- Manufacturing drawings
- Machines and equipment delivery

*Customer: **TES Přeřov - Castlemore Group - Ireland***

- » Preheater steel tower for the cement plant Itabira, Brazil

- Stress analysis
- Steel structure design

- » Pneumatic transport of the separation circuit of the cement grinding plant – cement plant Mokrá

*Customer: **Brockhausen, Germany***

- » Manufacturing of equipment for the cement storage

*Customer: **Germany***



## 1997

- » Production line of hydrated lime:
  - Machines and equipment delivery
  - Supervision at the site - Mongolia

*Customer: Eurosound Praha*
- » Steel submersible walls of the total length 28 m for flow regulation of the river Bodvog and the river Danube branches  
*Customer: co. Zenzinger Hranice*
- » Cement pneumatic transport in the cement plant Čížkovice (part of the cement grinding plant reconstruction)  
*Customer: PSP Engineering, a.s., Přerov*
- » Cement pneumatic transport in the cement plant Kujawy - Poland (part of the cement grinding plant reconstruction)  
*Customer: PSP Engineering, a.s., Přerov*

## 1996

- » Pneumatic air slide reconstruction and fans delivery for the cement plant Ladce
- » Project of the limestone grinding plant incl. non-standard workshop drawings
  - Machines and equipment delivery
  - Assembly coordination
  - Commissioning

*Customer: TES Přerov - Castlemore group - Ireland*
- » Bulk cement transport and storage equipment  
*Customer: Germany*

## 1995

- » Aerating plates for bottoms of ships transporting the bulk cement  
size: width 1 m, length 4 - 8 m
- » Steel bins for the bulk cement storage, welded, size: dia. 2 - 4 m
- » 3 high-pressure fans, input 130 kW  
*Customer: VSŽ Košice*
- » Manufacturing of equipment and assembly coordination during the cement silos reconstruction in the cement plant Čížkovice



## 1994

» Manufacturing of equipment for the bulk material storage and transport:

- Closed air slides of cement
- Slide gates, pneumatic, hand, motor operated
- Regulating gates

*The delivery according to the customer's documentation.*

*Customer: **Germany***

» Steel footbridge 13 m long

*Customer: **Dřevohostice village***

## 1992-1993

» Manufacturing of equipment for the storage and homogenization of bulk material in the cement industry:

- Aerating, air slides
- Slide gates, hand operated

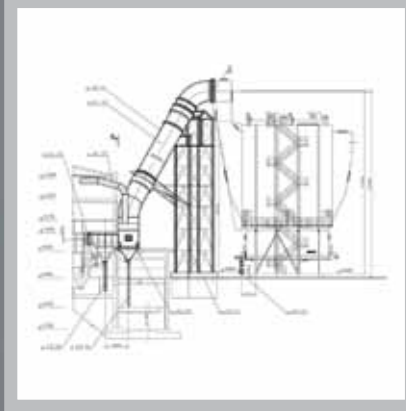
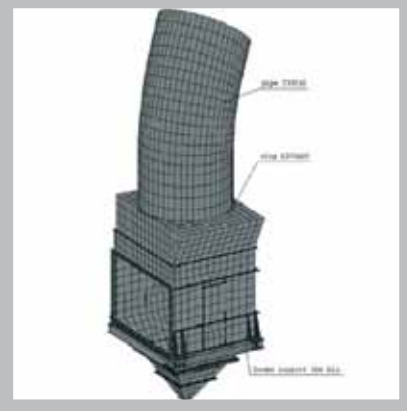
*Customer: **Germany***

» Manufacturing of small equipment according to the local market inquiry:

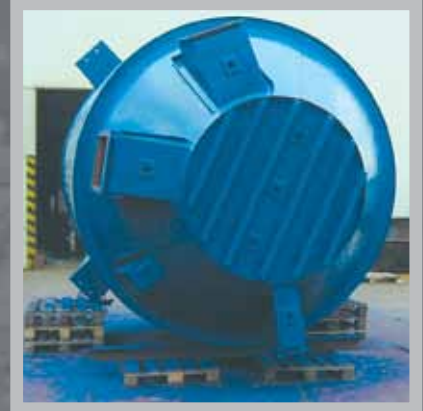
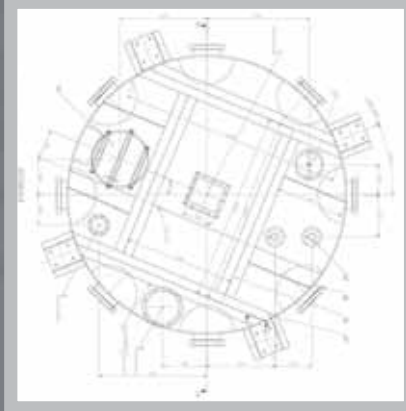
- Garage gates
- Building fitter's products



» Dust control of Clinker Cooler at Tupi cement plant (Brazil)



» Storage bin of bulk material with aerated bottom



» Silo Aerated Bottom

